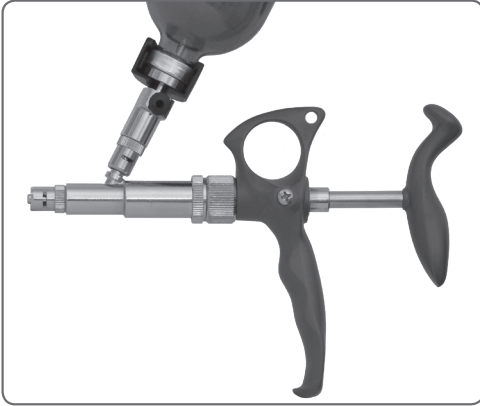


# Automatic Veterinary Syringes

## 2.0cc ThaMa 263 Fix Dosage

with 3 different pistons 0.5cc, 1.0cc, 2.0cc with vial holder



4. Grip the piston and unscrew it, and change to the one you need.
5. Tight the new piston gently with the key-pin.
6. Take out the key-pin from the piston.
7. Put a drop of castor-oil on the piston's O-ring.
8. Close the body-cover and tight it.

### Use the Vial Holder:

1. Remove the black plastic clip (42).
2. Insert the vial (43) to the vaccine bottle and push it down.
3. Return the plastic clip back – connect the vial holder to the syringe .

**Pay attention that the black plastic clip is properly set!**

### After use:

### Care and Maintenance:

1. Dismantle the vial from the vial holder.
2. Pump the syringe in clear water, 6-10 times, to remove any residue of the material from the body, needles, tube and valves.
3. Open the body cover (13) and wash all parts in clear water.
4. Open the luer lock needle adapter (02) and the tubing valve housing (03) - wash them in clear water.
5. Oil the glass cylinder after cleaning.
6. Assemble the parts together.

**Note: Pay attention, and take good care not to loose the small parts, like valves, springs, and valves plastic washers.**

**Note: It is highly recommended to oil the syringe body after cleaning and before assemble the parts together.**

### Recommended:

Use the original box for each syringe to keep it useful for long time. The automatic syringe is made of the best materials, is oil-proof, non corrosive. All parts can be sterilized up to 125°C.

### Operating Instructions:

This Automatic Syringe ThaMa 263 is a precision, reliable and accurate All-Metal-Fixed-Dosage instrument, designed for mass treatment of pigs. All the components are made of the finest material, oil proof, non-corrosive; the valve is made of NBR. The piston slides smoothly along the metal cylinder.

It is supplied with 3 pistons of various sizes: 0.5cc, 1.0cc, 2.0cc.

All parts can be sterilized up to 125°C.

### Before Use:

1. It's recommended to sterilize the syringe before each use.
2. Check that all screwed parts are tightened.
3. Make sure that the valves, springs and washers are properly positioned into the base.

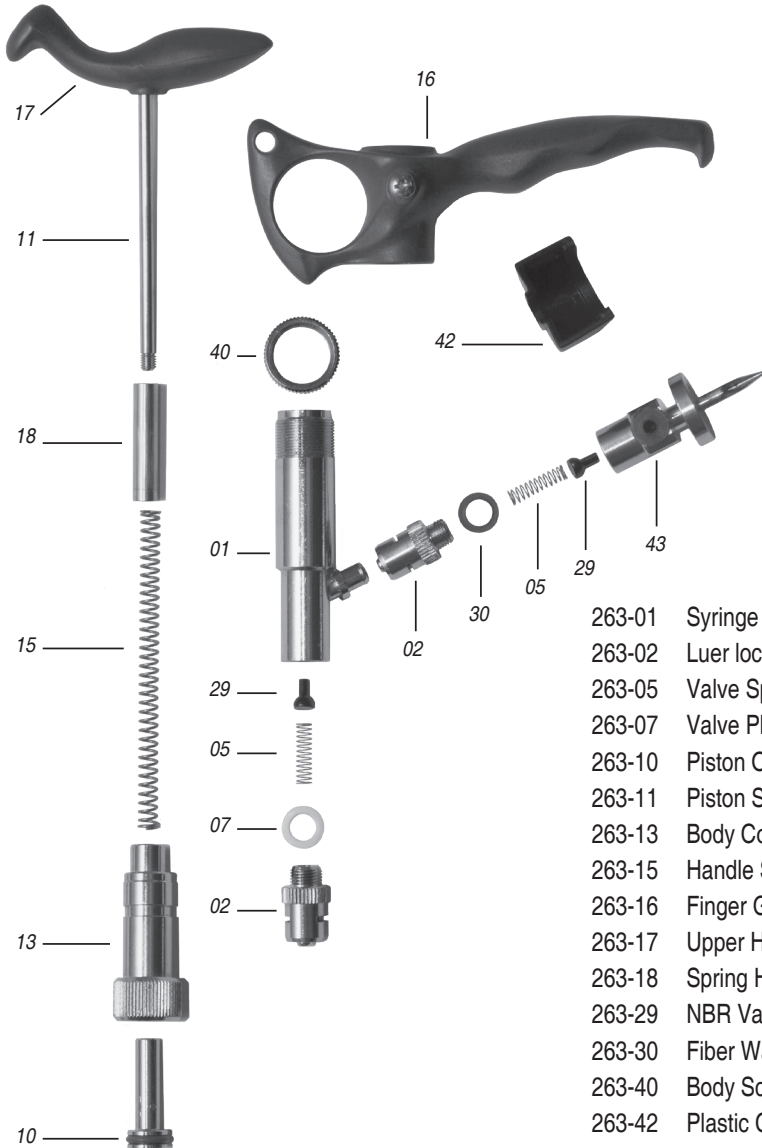
### To set the dose:

1. In the box find the key-pin (20).
2. Open the body-cover (13) by gripping it with your fingers and turn.
3. Press the piston - forward to its utmost position, and insert the key-pin into the hole on the piston.

# 2.0cc ThaMa 263

## Fix Dosage

with 3 different pistons 0.5cc, 1.0cc, 2.0cc with vial holder



- |        |   |
|--------|---|
| 263-01 | Syringe Body  |
| 263-02 | Luer lock needle adapter  |
| 263-05 | Valve Spring  |
| 263-07 | Valve Plastic Washer  |
| 263-10 | Piston O-Ring   |
| 263-11 | Piston Shaft  |
| 263-13 | Body Cover  |
| 263-15 | Handle Spring   |
| 263-16 | Finger Grip Handle  |
| 263-17 | Upper Handle  |
| 263-18 | Spring Housing  |
| 263-29 | NBR Valve   |
| 263-30 | Fiber Washer  |
| 263-40 | Body Screw Nut  |
| 263-42 | Plastic Clip  |
| 263-43 | Vial Holder – Body  |
| 263-99 | Spare Parts-Kit<br>(include: 263-05*2, 263-29*2,<br>263-07*1, 263-30*1, 263-10*2) |