

Automatic Veterinary Syringes

ThaMa 222

Automatic Double Syringe

2 different dosages of various vaccines at once with different pistons
0.1cc, 0.2cc, 0.25cc, 0.3cc, 0.5cc



Instructions:

This ThaMa 222 is a precise, reliable and accurate double syringe. ThaMa 222 is used for vaccinate two different dosages of various vaccines at once. Each syringe comes with a pull set of 5 pistons.

Before Use:

1. It's recommended to sterilize the syringe before each use.
2. Check that all screwed parts are tightened.
3. Make sure that the valve springs and washers are properly positioned into the base.

How to set the dosage:

1. Unscrew the banding screw (#26) and pull out the syringe.
2. Unscrew the body cover (#13) and pull out from the body (#1).

3. Insert the key-pin (#20) into the hole on the piston.
4. Hold the top nut with tool and unscrew it out.

5. Take the spring (#15) and the body cover (#13) and put them on the new piston (#1) with the measure you need.
6. Replace the cover body, spring and the screw nut M4 (#12) in order.
7. Tight the screw nut (#12): insert the key-pin into the hole on the piston and tight gently with tool.
8. Put the syringe back in its housing (#25) (make sure that the top nut is in its hole at the piston shove) and screw the banding screw (#26) tightly.

Make sure that you set the dosage in both syringe.

**One of the syringes is marked!
 That makes it easier to remember in which syringe you have one of different dosages during the working day.**

How to set the bridge 2 to 1 needle (#27):

1. Unscrew the needle adapter (#2) from both syringes (take care of the springs and the valves).
2. Insert the springs (#5) in the 2 to 1 bridge and the valve in right position (valve in the body and spring in the bridge).
3. Close the 2 "bridge covers" upon the syringes and tight them gently.

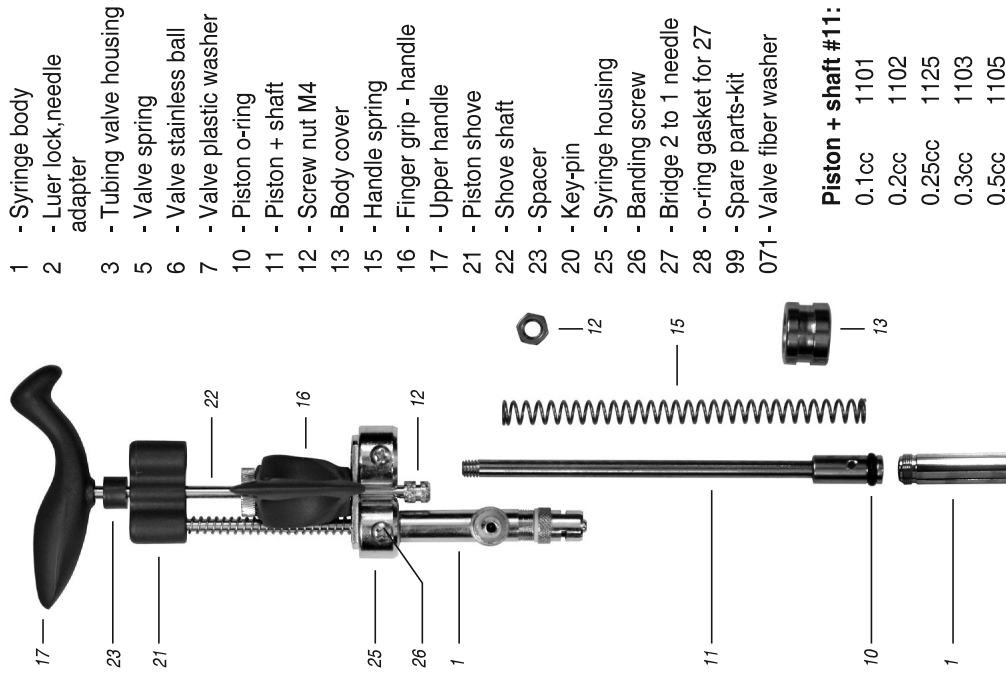
Care and Maintenance after Use:

1. Dismount the needles from the syringes.
2. Take out the syringes from the syringe housing (unscrew #26).
3. Open the body cover and wash it, open the luer lock needle adapter and the tubing valve housing – wash them in clear water.
4. Before using again, verify that all the parts are in their place and put a drop of castor oil (supplied) on the O-ring.

Do not open the upper handle for cleaning!

Sterilization:

All parts of the syringe can be sterilized. It is recommended to sterilize after every use. Up to 120°C in autoclave.



- 1 - Syringe body
- 2 - Luer lock,needle adapter
- 3 - Tubing valve housing
- 5 - Valve spring
- 6 - Valve stainless ball
- 7 - Valve plastic washer
- 10 - Piston o-ring
- 11 - Piston + shaft
- 12 - Screw nut M4
- 13 - Body cover
- 15 - Handle spring
- 16 - Finger grip - handle
- 17 - Upper handle
- 21 - Piston shove
- 22 - Shove shaft
- 23 - Spacer
- 20 - Key-pin
- 25 - Syringe housing
- 26 - Banding screw
- 27 - Bridge 2 to 1 needle
- 28 - o-ring gasket for 27
- 99 - Spare parts-kit
- 071 - Valve fiber washer

- Piston + shaft #11:**
- 0.1cc 1101
 - 0.2cc 1102
 - 0.25cc 1125
 - 0.3cc 1103
 - 0.5cc 1105

